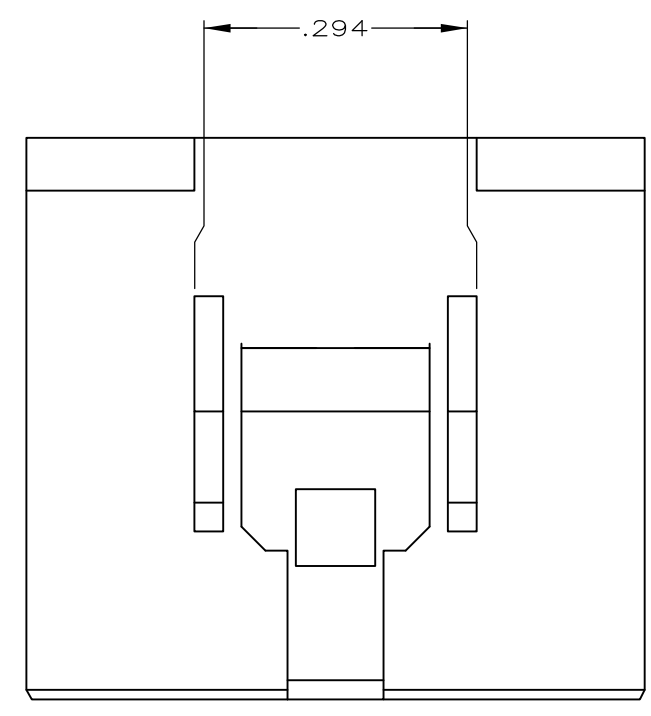
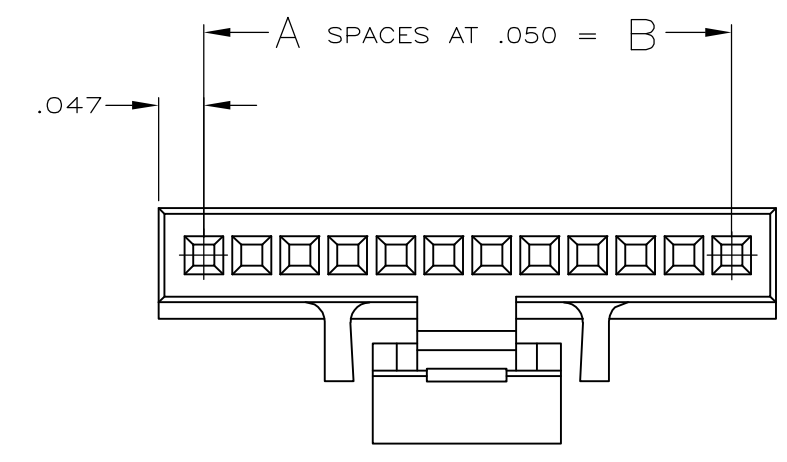
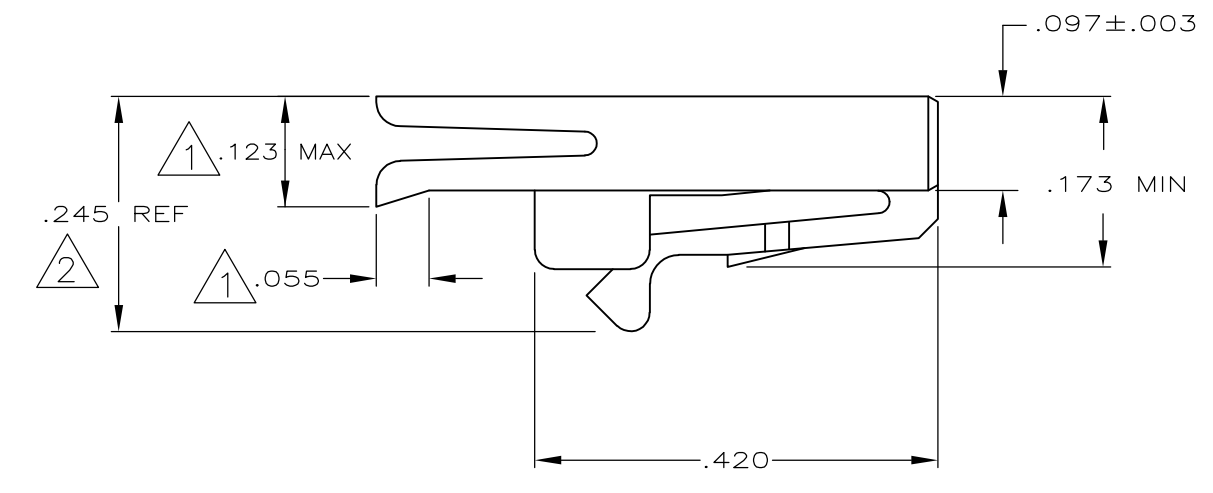
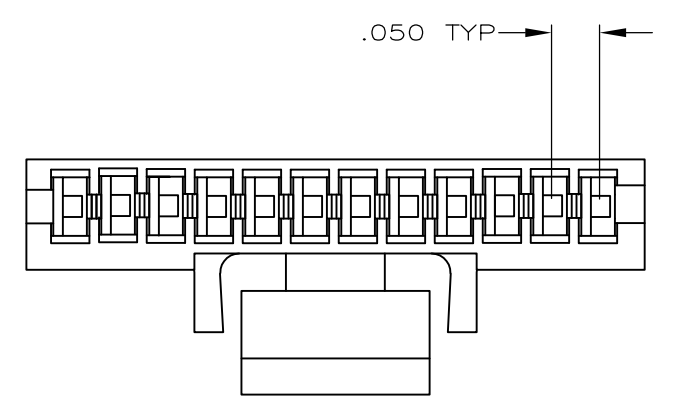
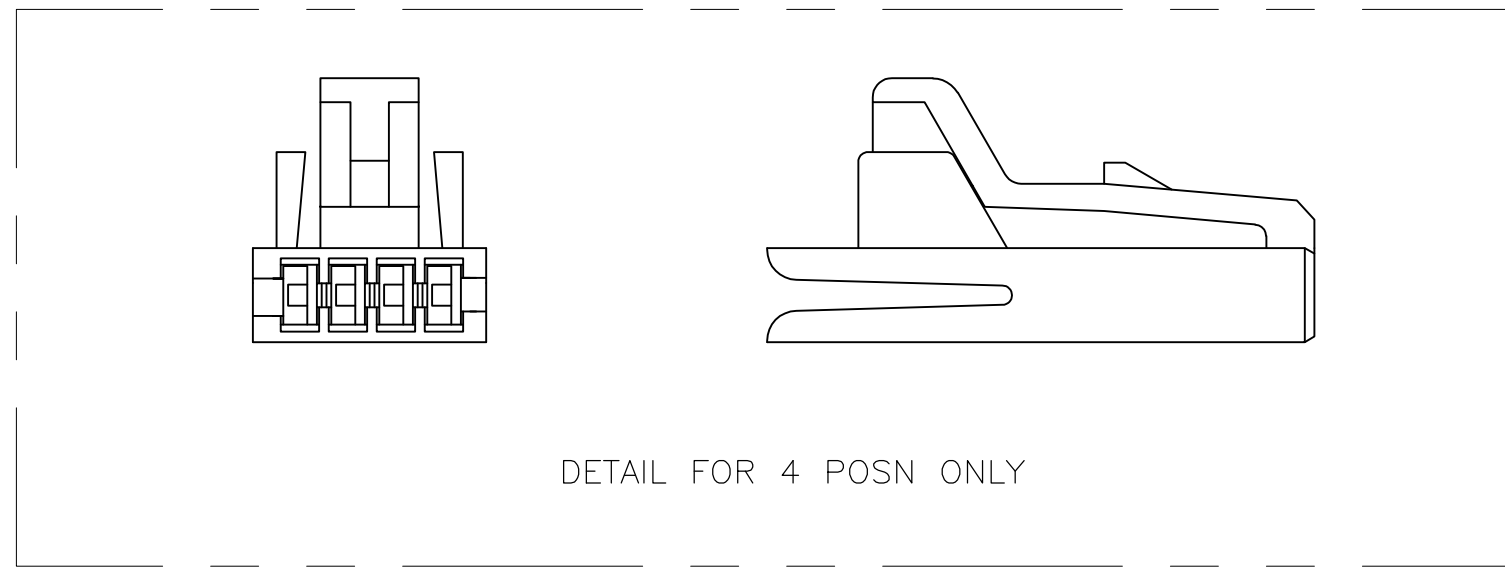
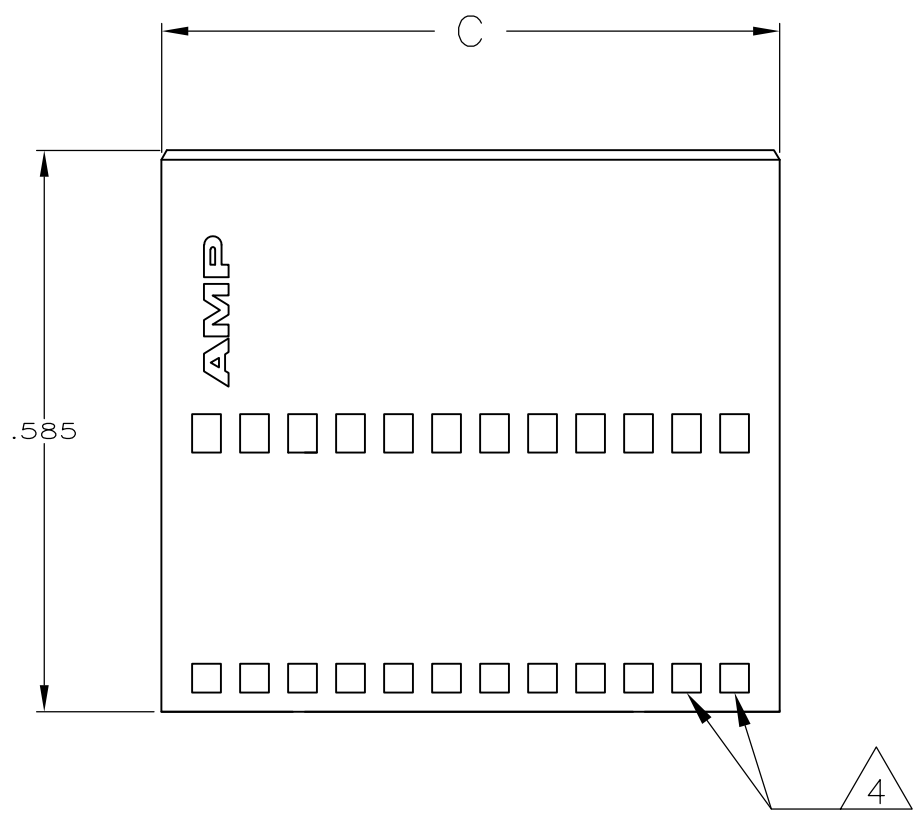


THIS DRAWING IS UNPUBLISHED. RELEASED FOR PUBLICATION
 © COPYRIGHT - By - ALL RIGHTS RESERVED.

| LOC | DIST | REVISIONS | | | |
|-----|------|---------------------------|-----------|-----|------|
| P | LTR | DESCRIPTION | DATE | DWN | APVD |
| GP | 00 | | | | |
| R | | REVISED PER ECO-11-017188 | 06DEC2011 | CJV | CWR |



| | | | | |
|------------------|------------------|---------------|---------------|-----------------------|
| 2.543 | 2.450 | 49 | 50 | 4-487545-7 |
| 2.293 | 2.200 | 44 | 45 | 4-487545-2 |
| 2.043 | 1.950 | 39 | 40 | 3-487545-7 |
| 1.843 | 1.750 | 35 | 36 | 3-487545-3 |
| 1.543 | 1.450 | 29 | 30 | 2-487545-7 |
| 1.443 | 1.350 | 27 | 28 | 2-487545-5 |
| 1.343 | 1.250 | 25 | 26 | 2-487545-3 |
| 1.293 | 1.200 | 24 | 25 | 2-487545-2 |
| 1.143 | 1.050 | 21 | 22 | 1-487545-9 |
| 1.043 | .950 | 19 | 20 | 1-487545-7 |
| .893 | .800 | 16 | 17 | 1-487545-4 |
| .793 | .700 | 14 | 15 | 1-487545-2 |
| .693 | .600 | 12 | 13 | 1-487545-0 |
| .643 | .550 | 11 | 12 | 487545-9 |
| .543 | .450 | 9 | 10 | 487545-7 |
| .443 | .350 | 7 | 8 | 487545-5 |
| .393 | .300 | 6 | 7 | 487545-4 |
| .343 | .250 | 5 | 6 | 487545-3 |
| .293 | .200 | 4 | 5 | 487545-2 |
| .243 | .150 | 3 | 4 | 487545-1 |
| C | B | A | POSN | PART NO. |

- 1 LIP DOES NOT APPLY TO 4 & 5 POSITION HOUSINGS.
- 2 THIS DIMENSION IS .275 REF. ON 4 POSITION HOUSING ONLY.
- 3 OBSOLETE PARTS: OBSOLETE CIS STREAMLINING PER D.RENAUD/D.SINISI.
- 4 WINDOWS MAY OR MAY NOT BE PRESENT ON THIS END OF THE HOUSING.

THIS DRAWING IS A CONTROLLED DOCUMENT.

| | | | |
|---------------------------|--|------------------------------------|-----------------|
| DIMENSIONS: INCHES | TOLERANCES UNLESS OTHERWISE SPECIFIED: | DWN B. HAYMAKER 24MAY99 | TE Connectivity |
| | 0 PLC ± - | CHK S. BOLASH 24MAY99 | |
| | 1 PLC ± - | APVD S. BOLASH 24MAY99 | |
| | 2 PLC ± - | PRODUCT SPEC | |
| MATERIAL POLYESTER, BLACK | FINISH - | NAME HOUSING, RECEPTACLE, .050 C/L | RESTRICTED TO - |

| | | | | | |
|---------|-----------------|----------------------|-----------|--------------|-------|
| SIZE A2 | CAGE CODE 00779 | DRAWING NO. C=487545 | SCALE 5:1 | SHEET 1 of 1 | REV R |
|---------|-----------------|----------------------|-----------|--------------|-------|